

THIRD CT "C" REQUIRED IF LINE TO NEUTRAL LOADS ARE PRESENT

Note: For parallel unit installation CT's must be installed on the load side of the DPM power connection point.

CUSTOMER INCOMING POWER

CUSTOMER LOAD

Danger!

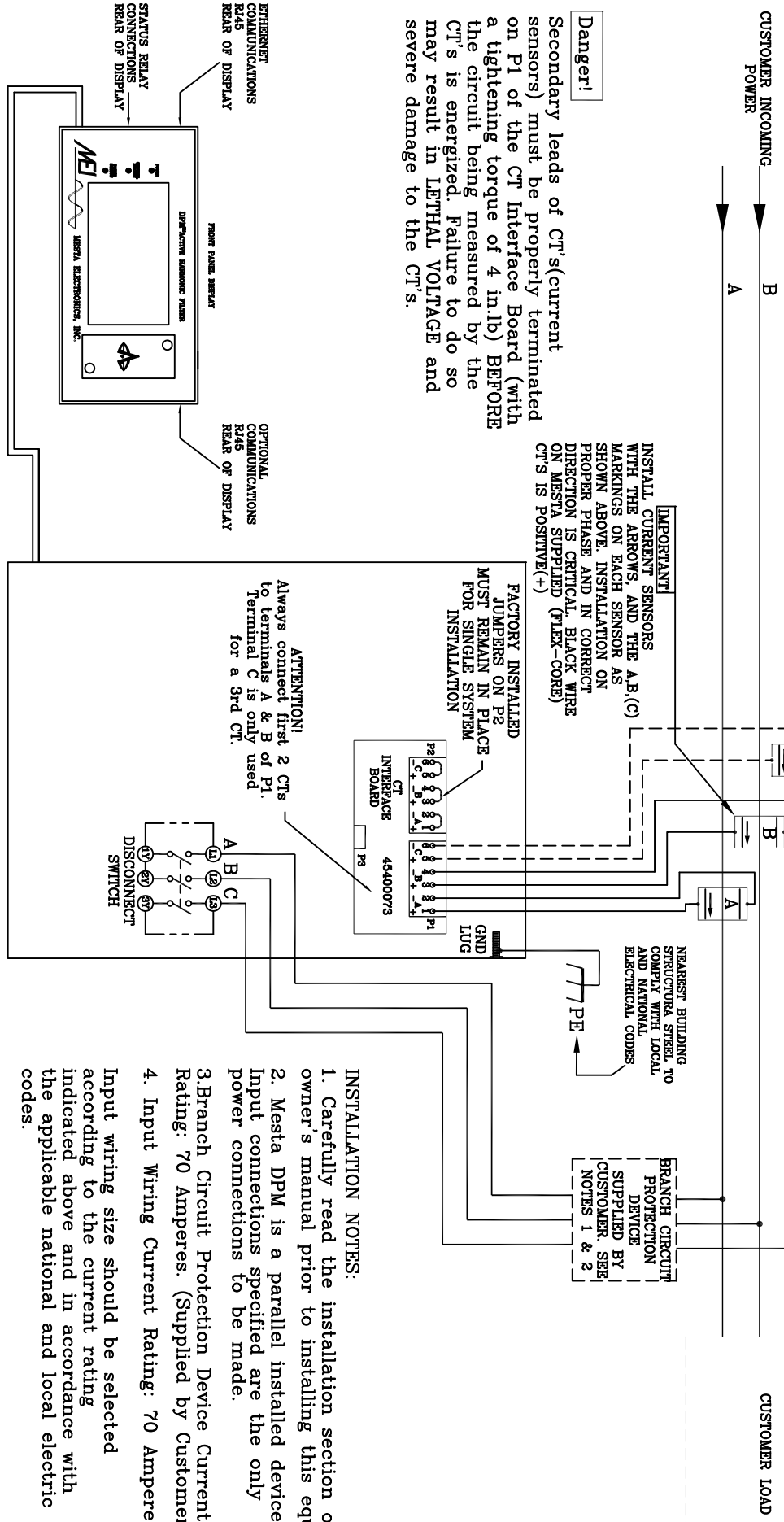
Secondary leads of CT's(current sensors) must be properly terminated on P1 of the CT Interface Board (with the circuiting torque of 4 in.lb) BEFORE the circuiting being measured by the CT's is energized. Failure to do so may result in **LETHAL VOLTAGE** and severe damage to the CT's.

IMPORTANT!
INSTALL CURRENT SENSORS WITH THE ARROWS, AND THE A,B,(C) MARKINGS ON EACH SENSOR AS SHOWN ABOVE. INSTALLATION ON PROPER PHASE AND IN CORRECT DIRECTION IS CRITICAL. (FLEX-CORE) CT'S IS POSITIVE(+)

FACTORY INSTALLED JUMPERS ON P2 MUST REMAIN IN PLACE FOR SINGLE SYSTEM INSTALLATION

ATTENTION!
Always connect first 2 CT's to terminals A & B of P1. Terminal C is only used for a 3rd CT.

ENCLOSURE FRONT VIEW



NEAREST BUILDING STRUCTURE STEEL TO COMPLY WITH LOCAL AND NATIONAL ELECTRICAL CODES

BRANCH CIRCUIT PROTECTION DEVICE SUPPLIED BY CUSTOMER. SEE NOTES 1 & 2

INSTALLATION NOTES:

1. Carefully read the installation section of the owner's manual prior to installing this equipment
2. Mesta DPM is a parallel installed device. Input connections specified are the only power connections to be made.
3. Branch Circuit Protection Device Current Rating: 70 Amperes. (Supplied by Customer)
4. Input Wiring Current Rating: 70 Amperes. Input wiring size should be selected according to the current rating indicated above and in accordance with the applicable national and local electric codes.
5. 50 amp DPM Disconnect Switch: one conductor per pole

REV	DESCRIPTION	DATE	BY	CHKD
1	ISSUE FOR PRODUCTION	09/26/2018	ME	ME
2	REVISED TO ADD 3RD CT	09/26/2018	ME	ME
3	REVISED TO ADD 3RD CT	09/26/2018	ME	ME
4	REVISED TO ADD 3RD CT	09/26/2018	ME	ME
5	REVISED TO ADD 3RD CT	09/26/2018	ME	ME
6	REVISED TO ADD 3RD CT	09/26/2018	ME	ME
7	REVISED TO ADD 3RD CT	09/26/2018	ME	ME
8	REVISED TO ADD 3RD CT	09/26/2018	ME	ME
9	REVISED TO ADD 3RD CT	09/26/2018	ME	ME

50 AMP DPM
3rd Gen. N1 CUSTOMER
INSTALL DIAGRAM
45900022
1 OF 1

MESTA ELECTRONICS, INC.
45900022-1