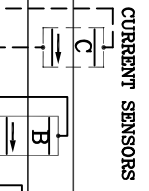


THIRD CT "C" REQUIRED IF LINE TO NEUTRAL LOADS ARE PRESENT

Note: For parallel unit installation CT's must be installed on the load side of the DPM power connection point.

CUSTOMER INCOMING POWER



NEAREST BUILDING STRUCTURAL STEEL TO COMPLY WITH LOCAL AND NATIONAL ELECTRICAL CODES

BRANCH CIRCUIT PROTECTION DEVICE SUPPLIED BY CUSTOMER. SEE NOTES 1 & 2



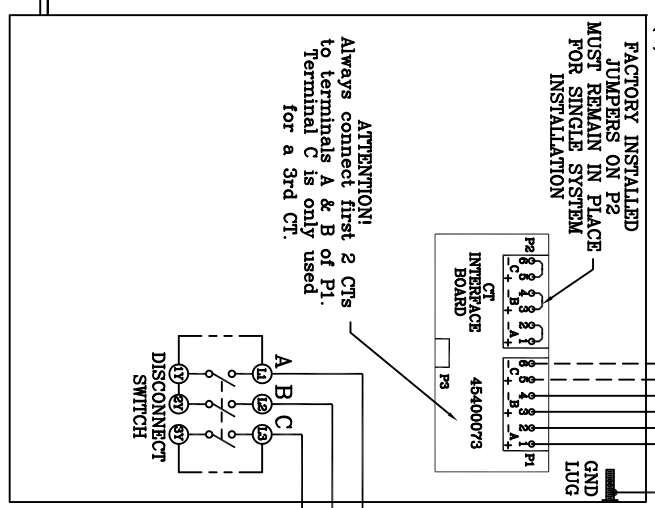
**Danger!**

Secondary leads of CT's(current sensors) must be properly terminated on P1 of the CT Interface Board (with a tightening torque of 4 in.lb) BEFORE the circuit being measured by the CT's is energized. Failure to do so may result in **LETHAL VOLTAGE** and severe damage to the CT's.

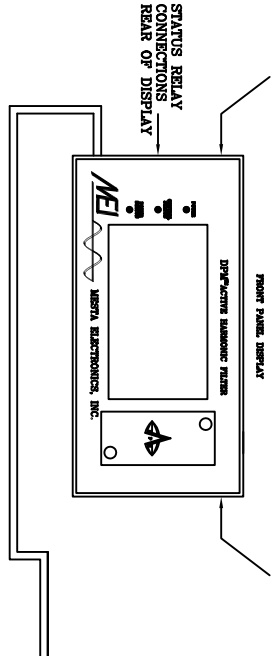
**IMPORTANT!**  
INSTALL CURRENT SENSORS WITH THE ARROWS, AND THE A,B,(C) MARKINGS ON EACH SENSOR AS SHOWN ABOVE. INSTALLATION ON PROPER PHASE AND IN CORRECT DIRECTION IS CRITICAL. (FLEX-CORE) CT'S IS POSITIVE(+)

**FACTORY INSTALLED JUMPERS ON P2 MUST REMAIN IN PLACE FOR SINGLE SYSTEM INSTALLATION**

**ATTENTION!**  
Always connect first 2 CT's to terminals A & B of P1. Terminal C is only used for a 3rd CT.



ENCLOSURE FRONT VIEW



- INSTALLATION NOTES:**
1. Carefully read the installation section of the owner's manual prior to installing this equipment
  2. Mesta DPM is a parallel installed device. Input connections specified are the only power connections to be made.
  3. Branch Circuit Protection Device Current Rating: 125 Amperes. (Supplied by Customer)
  4. Input Wiring Current Rating: 125 Amperes. Input wiring size should be selected according to the current rating indicated above and in accordance with the applicable national and local electric codes.
  5. 100 amp DPM Disconnect Switch: one conductor per pole

REVISIONS		DATE		BY		DESCRIPTION	
1		09/26/2018					100 AMP DPM 3RD GEN NI CUSTOMER INSTALL.
2		09/26/2018					45900023
3		09/26/2018					45900023-1

A	B	C	D	E	F	G	H	J	K	L	M	N	P	R	S	T
---	---	---	---	---	---	---	---	---	---	---	---	---	---	---	---	---