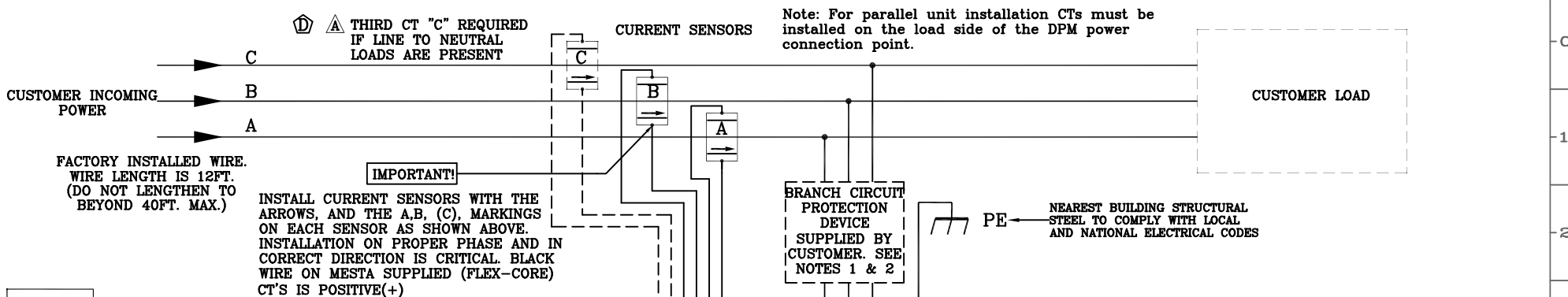
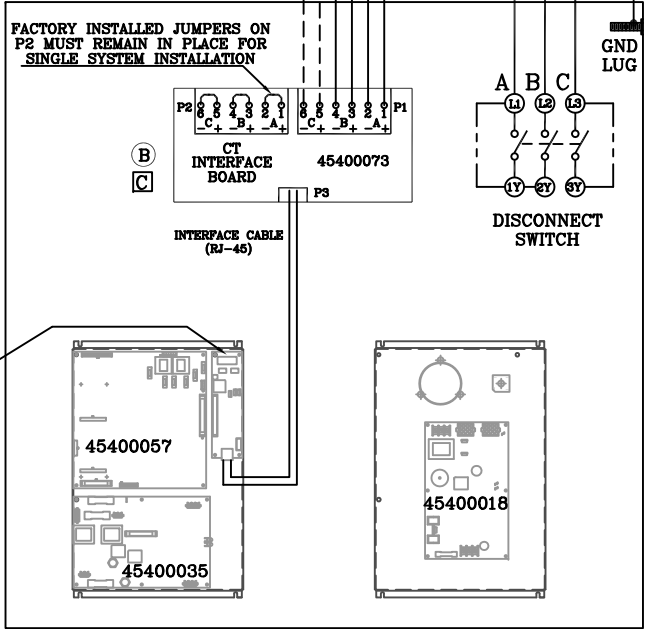


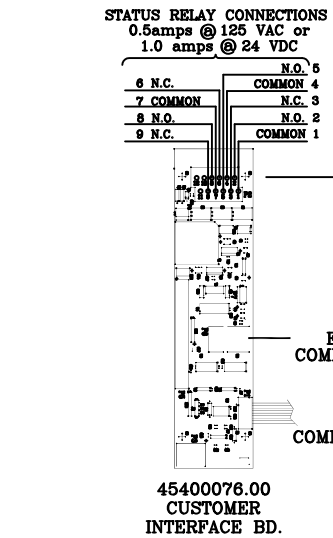
A B C D E F H J K L M N P R S T



**Danger!**  
Secondary leads of CT's (current sensors) must be properly terminated on P1 of the CT Interface Board (with a tightening torque of 4 in.lb) BEFORE the circuit being measured by the CT's is energized. Failure to do so may result in LETHAL VOLTAGE and severe damage to the CT's.



- INSTALLATION NOTES:**
- Carefully read the installation section of the owner's manual prior to installing this equipment
  - Mesta DPM is a parallel installed device. Input connections specified are the only power connections to be made.
  - Branch Circuit Protection Device Current Rating: 250 Amperes. (Supplied by Customer)
  - Input Wiring Current Rating: 250 Amperes.
- Input wiring size should be selected according to the current rating indicated above and in accordance with the applicable national and local electric codes.
5. 200 amp DPM Disconnect Switch: one conductor per pole.



<p>REV. D REQUIRED IF LINE TO NEUTRAL LOADS ARE PRESENT (05/07/08)</p> <p>REV. C_PC-BOARD 45400073 POLARITY CHANGE (08/28/07)</p> <p>REV. B_PC-BOARD 45400050 CHANGES TO 45400073. (01/23/07)</p> <p>REV. A_CURRENT SENSOR 'C' MADE OPTIONAL. (11/08/06)</p>	<p>REV. E_PC-BOARD 45400078 NEW Interface/control panel(05/5/09)</p>	<p>NEW DESIGN AND ALL DIMENSIONS CONFORM WITH THE PROTECTIVE COVERING THEREON. ALL DIMENSIONS IN BRACKET INDICATE TOLERANCES PER ASME Y14.5-1994</p> <p>TOLERANCES: XX ±.01/A XXX ±.01/A ANGLES 25/1/2</p> <p>THIRD ANGLE PROJECTION</p>	<p>SCALE: N.T.S.</p> <p>DATE: 05/21/09</p> <p>APP: CAA/DLL</p> <p>DESIGN: PL</p>	<p>MEI MESTA ELECTRONICS, INC.</p> <p>CUSTOMER: STD</p> <p>STANDARD: STD</p>	<p>TITLE: 200 AMP DPM CUST. INSTALLATION DIAGRAM</p> <p>DWG NO: 45900007</p> <p>REV: E</p> <p>CAD FILE: 45900007E-1</p> <p>SHEET NO: 1 OF 1</p>
--	--	--	--	--	---

A B C D E F H J K L M N P R S T